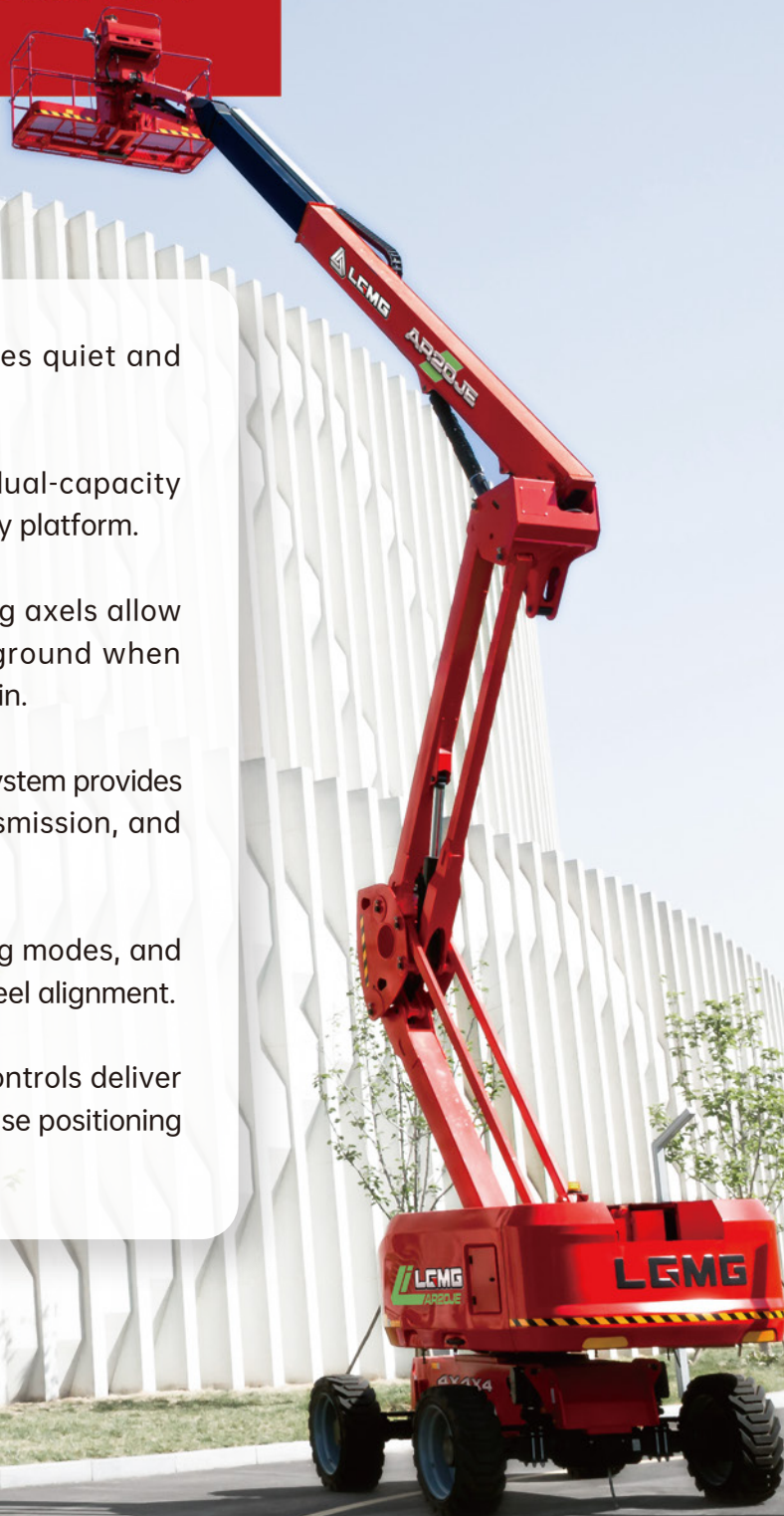


LGMG

AR20JE

ARTICULATING BOOM LIFT

- Li-battery powered provides quiet and zero emission.
- 260/350kg (573 /772 lbs) dual-capacity design, 2.44m (8') triple entry platform.
- Oscillating, full-time floating axels allow the wheels to grip to the ground when driving on hard, uneven terrain.
- Integrated four-wheel-drive system provides strong power, smooth transmission, and 45% gradeability.
- Equipped with three steering modes, and equipped with one-touch wheel alignment.
- Proportional lift and drive controls deliver smoother maneuvering, precise positioning and comfortable operation.



LGMG Electric - Articulating Boom Lift

SPECIFICATIONS

MODELS	AR20JE (AR65JE)	
	Metric	Imperial
Measurements		
Work Height Max.	21.58m	70'10"
Platform Height Max.	19.58m	64'3"
Horizontal Outreach	12.37m	40'7"
Up and Over Height	8.19m	26'10"
Platform Length	2.44m	8'
Platform Width	0.9m	2'11"
A Stowed Length	9.42m	30'11"
Length-Transport (jib tucked)	7.63m	25'
B Overall Width	2.5m	8'2"
C Stowed Height	2.46m	8'1"
Height-Transport	2.96m	9'9"
D Wheelbase	2.51m	8'3"
E Ground Clearance	0.4m	1'4"

PRODUCTIVITY

Max. Platform Occupants	2(unrestricted) / 3(restricted)	
Platform Capacity	260/350kg	573/772 lbs
Turntable Rotation	360°	360°
Drive Speed-Stowed	5km/h	3.1mph
Drive Speed-Raised	0.8km/h	0.5mph
Gradeability	45%	45%
Max. Wind Speed	12.5m/s	28mph
Turning Radius-Inside	1.9m	6'3"
Turning Radius-Outside	3.9m	12'10"
Max.Slope	4°/4°	4°/4°
Tires Type	Foam-filled non-marking	
Tires Models	355/55D625	
Ground Pressure, Tyres	/	

POWER

Power Source	80V 271Ah
--------------	-----------

HYDRAULIC SYSTEM

Hydraulic Oil Volume	105L	27.7gal
----------------------	------	---------

WEIGHT

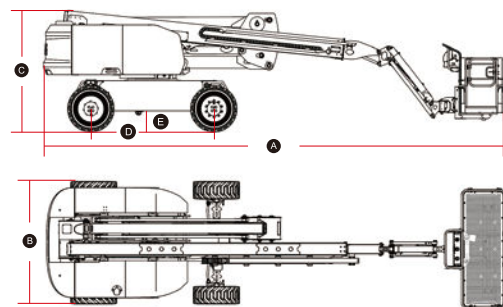
Machine Weight (CE/ANSI)	9,700kg	21,385 lbs
--------------------------	---------	------------

STANDARD FEATURES

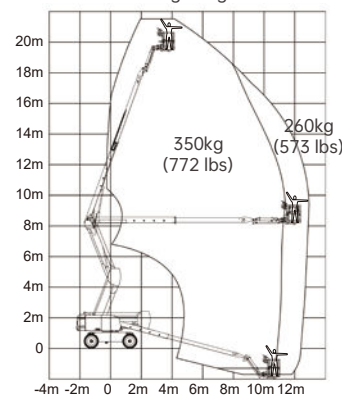
Proportional control	Emergency stop device
Horn/Hour meter	Auto-leveling platform
Full-height drive	Anti-collision protection
Flashing beacons	Over tilt protection system
Cylinder bellows	Platform control cover
Oscillating axle	Overload sensing system
Platform tool box	Intelligent diagnostic system
Telematics connector	Foam-filled non-marking tires

OPTIONAL

Telematics	Solid tires
AC power to platform	Solid non-marking tires
Half-height mesh platform	Foam-filled tires
Auxiliary rail	Biodegradable hydraulic oil



AR20JE Working Range



Please contact LGMG or a local dealer for more details.

LGMG reserves the right to change technical data without prior notice. All photos and pictures in this brochure are for promotional purposes only.

LINGONG HEAVY MACHINERY CO., LTD.

Address: No. 2676, Kejia Road, Jinan, Shandong, China
 Email: sales@lmgm.com.cn Tel: +86 531 6787 9283

LGMG Europe B.V.

Address: Donker Duyvisweg 301, 3316 BL Dordrecht, The Netherlands
 Email: sales@lmgmeurope.com Tel: +31 850 642 777

LGMG North America Inc.

Address: 4105 Live Oak Drive, Suite 100, The Colony, Texas 75056 United States
 Email: sales@lmgmna.com Tel: +1 833 288 5464

www.lmgmlifts.com



LGMG
 RELIABILITY IN ACTION