

GS EVO SILENCE 20S6 1150x525

THE SILENT ITALIAN MADE HAND PALLET TRUCK

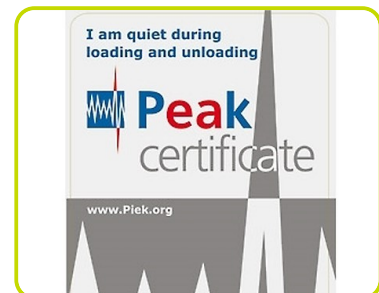


The GS EVO Silenced hand pallettruck has been designed to strongly reduce the noise emission even in the worse working condition: rough and tiled surfaces. The result is an ideal machine for the usage on residential areas deliveries and in supermarket stores

GS SILENCE - PIEK CERTIFIED

In 1998 the Dutch Government set out standards for noise emission during loading and unloading in retail trade and craft businesses. This resulted in a project called PIEK and in 2004 in the PIEK certification scheme for vehicles and equipment operating under 60dB(A) which will be suitable for use in night time deliveries without causing noise disturbance.

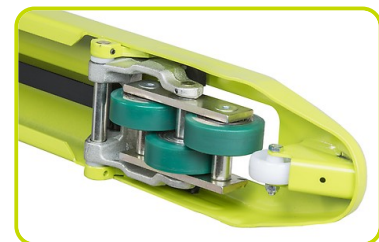
The GS SILENCE HPT is PIEK Certified.



TRIPLE ROLLERS AND REDUCED TOLLERANCES

On order to have a significant sound emission reduction, the HPT is equipped with:

- Triple rollers in SOFT POLIURETHANE (75 Shore)
- Solid push roads
- Zinc plated Clevis with reduced tollerances holes
- Pins with reduced tollerances



REDUCED VIBRATION

Reduced vibration trough plastic bushing on all the metal on metal junctions and rubber steering wheel as standard.

Modified handle with a TIE-ROD covered with with rubber.



Description

Manufacturer	LIFTER		
Drive	Manual		
Operator type	Pedestrian		
Load capacity	Q	kg	2000
Load centre distance	c	mm	600
Load axle to end forks	x	mm	932
Wheel base	y	mm	1192

Weights

Service weight	kg	78
Axle load, laden rear	kg	1472
Axle load, laden front	kg	606
Axle load, unladen rear	kg	29
Axle load, unladen front	kg	49

Tyres/Chassis

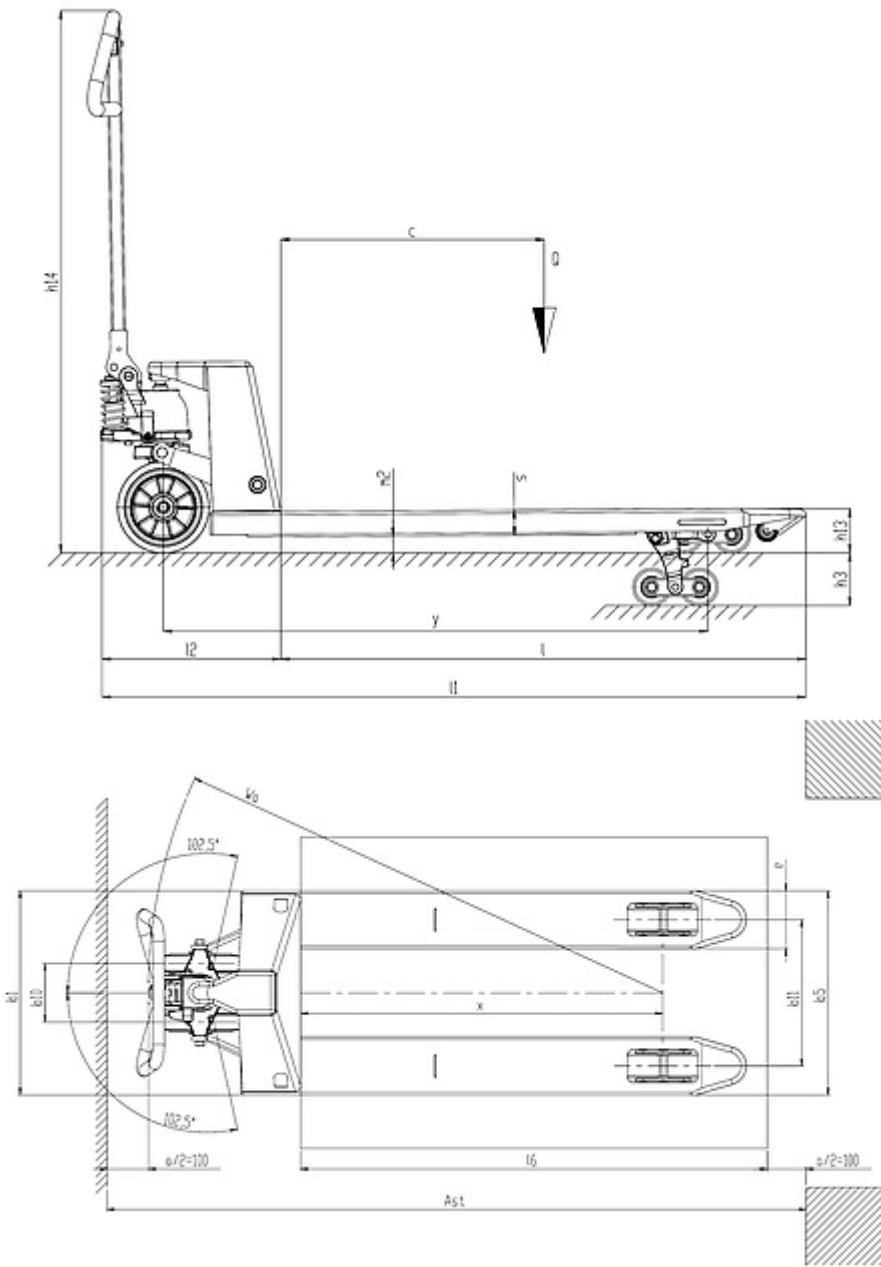
Tyres: front wheels	RUBBER/ALUMINIUM		
Tyres: rear wheels	POLY.C		
Tyre size: Steering wheels - Diameter	mm	200	
Tyre size: Steering wheels - Width	mm	50	
Tyre size: Load rollers - Diameter	mm	80	
Tyre size: Load rollers - Width	mm	30	
Tyre size: rear wheels - Q.ty (X=driven)	nr	6	
Tyre size: front wheels - Q.ty (X=driven)	nr	2	
Tread, front	b10 mm	155	
Tread, rear	b11 mm	375	

Dimensions

Lift height	h3 mm	115
Height of tiller in drive position max	h14 mm	1185
Height of tiller in drive position min	h14 mm	710
Height, lowered	h13 mm	85
Overall length	l1 mm	1550
Length to face of forks	l2 mm	400
Overall width (front/rear)	b1/b2 mm	525
Fork dimensions - Thickness	s mm	55
Fork dimensions - Width	e mm	150
Fork dimensions - Length	l mm	1150
Forks width	b5 mm	525
Ground clearance, centre of wheelbase	m2 mm	30
Aisle width	Ast mm	2048
Turning radius	Wa mm	1367

Performance data

Lifting speed laden	strokes	12
Lifting speed unladen	strokes	12
Lowering speed laden	m/s	0.06
Lowering speed unladen	m/s	0.02



The information is aligned with the Data file at the time of download.
Printed on 27/09/2024 (ID 13399)

©2024 | PR Industrial S.r.L unipersonale – Loc. Il Piano – 53031 Casole d'Elsa (SI) – ITALY. Company subject to the management and coordination of Generac Power Systems Inc. | All rights reserved | Image shown may not reflect actual package. Specifications subject to change without notice